

UV-C ULTRAVIOLET LED DEVICE FOR AIR SANITIZATION

SANILUX_{uvc} WALL, with the integrated fan and motor, conveys air into its sanitizing chamber, which is sanitized thanks to exposure to UV-C rays produced by Led. The sanitized air, is then put back into the environment.

Unlike other technologies, this LED minimizes maintenance.

✓ **SANITIZING ACTION** by UV LED type C

✓ **PURIFYING ACTION** by double HVAC polyester fibre filter

Efficiency up to 99.9%

Wavelength LED UV-C 277 nm

Range capacity up to 150 m³/h

Ozone-Free

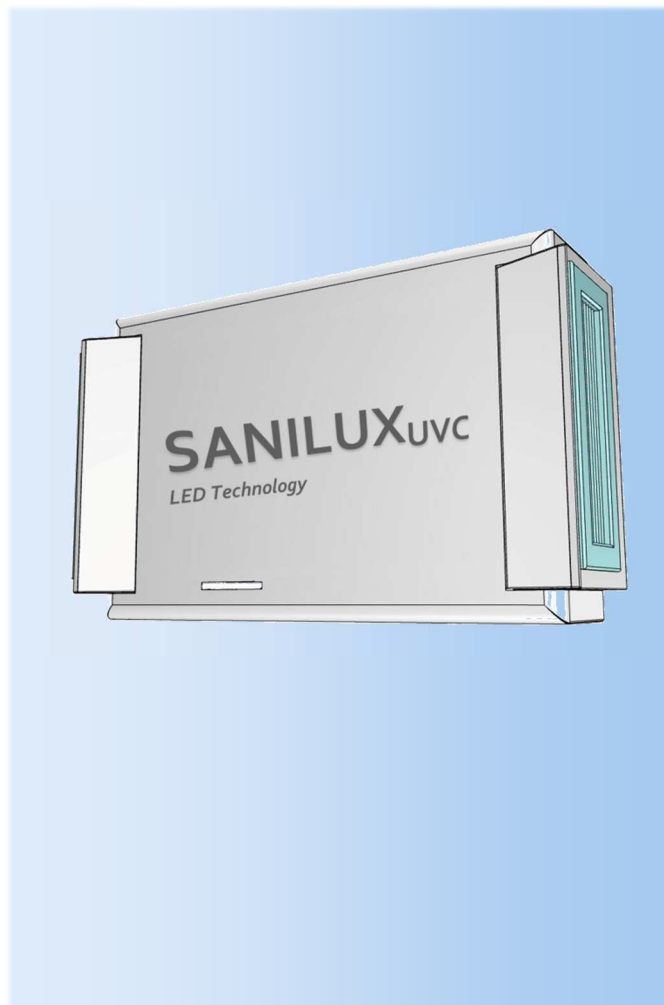
Does not contain mercury

Certification of germicidal efficacy

Complies with **ISO 15714:2019** on germicidal irradiation devices.

Safety certification

Complies with IEC 60335-2-65 for household and similar electrical appliances specific for air-cleaning appliances.



Applications

SANILUX_{uvc} WALL is suitable to be installed in any commercial, industrial, sanitary and / or public administration environment.

Surface Room m ²	Cubic volume room m ³	Time for a good sanitization of the room h	Examples
55	150	1	Room of the house, classroom, waiting room, meeting room
110	300	2	open space office, medical clinic
165	450	3	Shop
220	600	4	Business environment

✓ TECNOLOGIA A LED

✓ NO MERCURIO

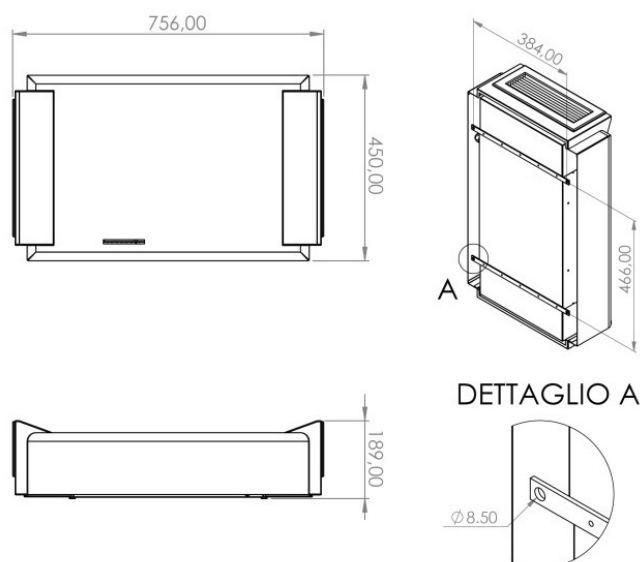
✓ MAGGIORE DURATA

Technical features

Technical features	
Supply voltage	110-230Vac ± 10% (wide range)
Supply frequency	50÷60Hz
No. of phases	1
Maximum electrical power absorbed	180W
LED lifetime	20.000 – 40.000 hours
Operation	Switch ON/OFF (not included) 2 speeds selectable with a wall diverter (not included)
Wavelength LED UV-C	277nm
Safety protection	Microswitch

Functional features	
Range of sanitization	Up to 150 m ³ /h
UV-C produced: Range 65 m ³ /h Range 150 m ³ /h	1,4 mJ/cm ² 0,6 mJ/cm ²
Temperature range	-10°C up to 55°C
Noise	48 dB
Equipment	HVAC olyester fibre filter

Mechanical dimensions	
Length	756 mm
Width	189 mm
Height	450 mm
Weight	13 Kg
Structure	Nr 4 brackets for ceiling or wall mounting
Material	Galvanized and painted body
Top cover	Can be opened for filter replacement



Maintenance	
Periodic replacement of HVAC polyester fibre filter	